



Art 170 black painted: Waste bin with tilted lid and bag holder.
Art 170 verniciato nero: Cestino con coperchio a scivolo.

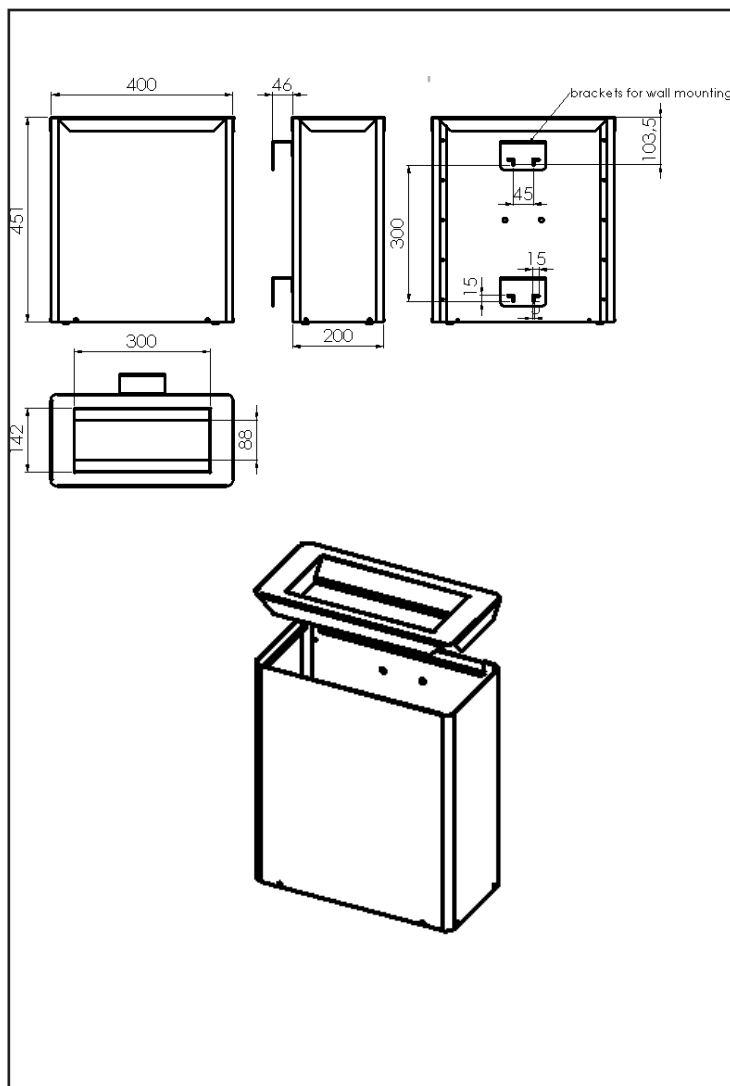
Technical product sheet
Scheda tecnica

Art:170XN1REG



Material: frame in **Aisi 304 (18/10)** black painted
Internal metal bag holder
Rubber feet for floor support and brackets included for wall mounting
Capacity:35 lt.
Quantity per pack: 1
Fixing screws: included.

Materiale: **Aisi 304 (18/10)** verniciato nero.
Reggisacco in metallo interno.
Piedini in gomma per appoggio a terra e staffe incluse per fissaggio a muro .
Capacità: 35 litri.
Kit tasselli incluso.
Pezzi per cartone: 1



Article	net weight	gross weight	pack. dimensions	EAN
A170X1REG	KG 5,5	KG 6	48x48x31	8058269250447